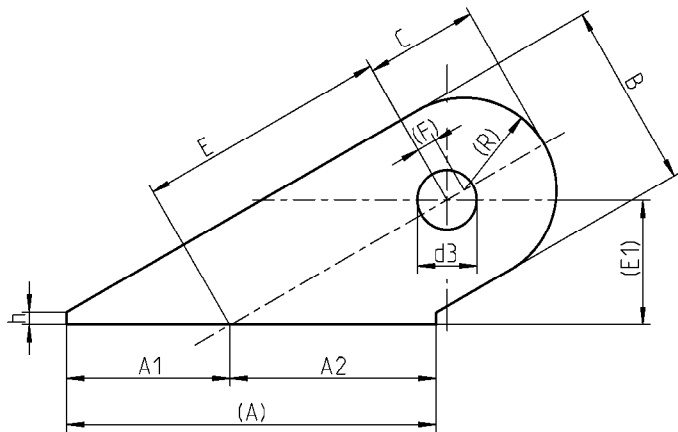


DNC-Index	Typ Type	A1	A2	(A)	B	C	d3	E	(E1)	(F)	(R)	h	t	Halbzeug			Gew. (kg)
														semi prod.			weight (kg)
01	6-6006 . - 60	11	26	37	18.5±0.2	11.5±0.2	6.6±0.1	40	20	2.25	9.25	4.5	4	Bl. 4X 30.5X 57.0 FM	0.03		
02	6-6008 . - 60	18	32	50	25.0±0.2	15.5±0.2	8.6±0.1	44	22	3.00	12.50	4.5	5	Bl. 5X 36.0X 71.5 FM	0.06		
03	6-6010 . - 60	25	39	64	32.0±0.3	19.5±0.2	10.6±0.1	50	25	3.50	16.00	4.5	6	Bl. 6X 43.0X 87.5 FM	0.10		
04	6-6012 . - 60	30	44	74	37.0±0.5	22.5±0.3	12.7±0.2	60	30	4.00	18.50	4.5	8	Bl. 8X 50.5X104.0 FM	0.20		
05	6-6016 . - 60	44	58	102	51.0±0.5	31.0±0.4	16.8±0.3	76	38	5.50	25.50	4.5	10	Bl.10X 66.5X140.5 FM	0.40		
06	6-6020 . - 60	57	71	128	64.0±0.5	39.0±0.4	20.8±0.3	90	45	7.00	32.00	4.5	12	Bl.12X 80.5X173.5 FM	0.70		
07	6-6024 . - 60	66	84	150	75.0±0.5	46.0±0.4	25.0±0.4	104	52	8.50	37.50	5.0	15	Bl.15X 94.0X201.0 FM	1.20		
08	6-6030 . - 60	80	102	182	91.0±0.5	56.0±0.4	31.0±0.4	124	62	10.50	45.50	6.5	20	Bl.20X113.0X242.0 FM	2.30		
09	6-6036 . - 60	99	125	224	112.0±0.5	68.0±0.4	36.0±0.4	152	76	12.00	56.00	8.0	22	Bl.22X138.0X297.5 FM	3.80		
10	6-6042 . - 60	119	151	270	135.0±0.5	82.0±0.4	43.0±0.4	180	90	14.50	67.50	9.5	25	Bl.25X165.0X355.0 FM	6.20		
11	6-6048 . - 60	131	167	298	149.0±0.5	91.0±0.4	48.0±0.4	200	100	16.50	74.50	11.0	30	Bl.30X183.0X393.0 FM	9.20		
12	6-6056 . - 60	154	198	352	176.0±0.5	107.0±0.4	56.0±0.4	240	120	19.00	88.00	13.0	35	Bl.35X217.5X466.5 FM	15.20		
13	6-6064 . - 60	177	225	402	201.0±0.5	122.0±0.4	64.5±0.5	270	135	21.50	100.50	14.5	40	Bl.40X246.5X530.0 FM	22.30		
14	6-6072 . - 60	198	252	450	225.0±0.5	137.0±0.5	73.5±0.5	290	145	24.50	112.50	16.0	50	Bl.50X270.0X583.0 FM	33.50		
15	6-6080 . - 60	222	280	502	251.0±0.8	153.0±0.7	81.5±0.6	324	162	27.50	125.50	17.5	55	Bl.55X301.5X652.0 FM	46.00		
16	6-6090 . - 60	253	319	572	286.0±0.8	174.0±0.7	91.5±0.6	360	180	31.00	143.00	19.5	60	Bl.60X338.5X735.0 FM	64.00		
17	6-6000 . - 60	275	349	624	312.0±1.0	189.0±0.8	99.5±0.6	410	205	33.00	156.00	21.5	70	Bl.70X377.5X815.0 FM	92.00		



Blechtoleranzenklasse A gemäß EN 10029
plate tolerances class A acc. to EN 10029

* Material gemäß: Bauaufsichtliche Zulassung Nr.Z-14.4-441
Material acc.: Bauaufsichtliche Zulassung No. Z-14.4-441

✓ Rz 160

Artikel Nr.	total je L B F Stck/Quantities	Benennung Description	Teil Part	Halbzeug Semi-product	DNC Ind.	DIN- EN	Werkstoff Material	DIN-EN 10204	LIS. Spez.	kg/St. f. Mat.0 ispo	Zeichnungs Nr. Drawing No.	
freigegeben/released Freigabestatus / release status							m-connect Typ 6-60... -60		Datei:			
							General toler. Freimaße		Scale		QM-Level:	
							DIN 7168-m established		Date		Name	
							checked		18.12.06		ara	
No. Revision							AV.QM.BMT		18.12.06		fgu,wd,bb	
							Fertigungsauftrags Nr./Serial no.		350055-3		1/1 0	
									Zeichnungs Nr./Drawing no.		Bl./page Rev.	