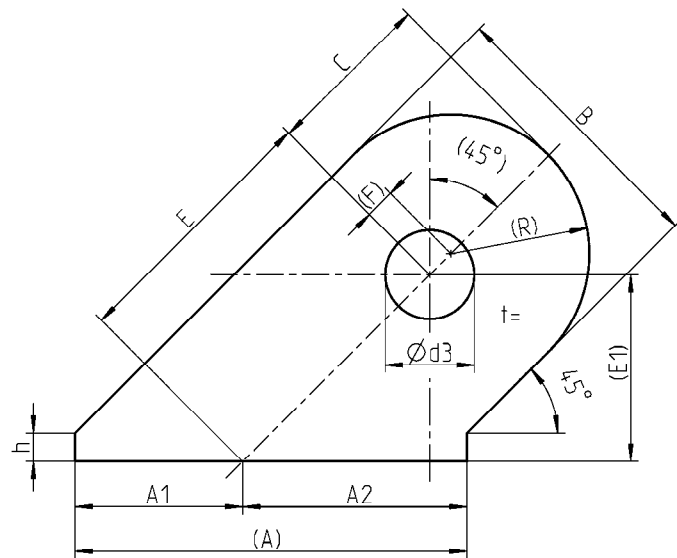


DNC- Index	Typ Type	A1	A2	(A)	B	C	d3	E	(E1)	F	R	h	t	Halbzeug	Gew. (kg)
														semi prod.	weight (kg)
01	6-6006 . - 45	9	17	26	18.5±0.2	11.5±0.2	6.6±0.1	28	20.0	2.25	9.25	4.5	4	BL.4X31X40 FM	0.02
02	6-6008 . - 45	13	22	35	25.0±0.2	15.5±0.2	8.6±0.1	31	22.0	3	12.5	4.5	5	BL.5X37X50 FM	0.04
03	6-6010 . - 45	18	27	45	32.0±0.3	19.5±0.2	10.6±0.1	35	25.0	3.5	16	4.5	6	BL.6X43X61FM	0.08
04	6-6012 . - 45	22	30	52	37.0±0.5	22.5±0.3	12.7±0.2	42	30.0	4	18.5	4.5	8	BL.8X51X73 FM	0.15
05	6-6016 . - 45	31	41	72	51.0±0.5	31.0±0.4	16.8±0.3	54	38.5	5.5	25.5	5.0	10	BL.10X68X99 FM	0.30
06	6-6020 . - 45	40	51	91	64.0±0.5	39.0±0.4	20.8±0.3	64	45.5	7	32	6.5	12	BL.12X82X122 FM	0.60
07	6-6024 . - 45	46	60	106	75.0±0.5	46.0±0.4	25.0±0.4	74	52.5	8.5	37.5	7.5	15	BL.15X96X142 FM	0.90
08	6-6030 . - 45	56	73	129	91.0±0.5	56.0±0.4	31.0±0.4	88	62.5	10.5	45.5	9.5	20	BL.20X115X171 FM	1.80
09	6-6036 . - 45	69	90	159	112.0±0.5	68.0±0.4	36.0±0.4	107	76.0	12	56	11.5	22	BL.22X140X209 FM	3.00
10	6-6042 . - 45	83	107	190	135.0±0.5	82.0±0.4	43.0±0.4	127	90.0	14.5	67.5	13.0	25	BL.25X168X251 FM	4.80
11	6-6048 . - 45	91	120	211	149.0±0.5	91.0±0.4	48.0±0.4	141	100.0	16.5	74.5	15.0	30	BL.30X186X277 FM	7.20
12	6-6056 . - 45	107	141	248	176.0±0.5	107±0.4	56.0±0.4	170	120.5	19	88	18.0	35	BL.35X222X329 FM	11.80
13	6-6064 . - 45	123	161	284	201.0±0.5	122±0.4	64.5±0.5	191	135.0	21.5	100.5	20.0	40	BL.40X251X374 FM	17.50
14	6-6072 . - 45	139	180	319	225.0±0.5	137±0.5	73.5±0.5	205	145.0	24.5	112.5	22.0	50	BL.50X275X414 FM	26.00
15	6-6080 . - 45	155	200	355	251.0±0.8	153±0.7	81.5±0.6	229	162.0	27.5	125.5	24.0	55	BL.55X307X462 FM	36.00
16	6-6090 . - 45	177	228	405	286.0±0.8	174±0.7	91.5±0.6	255	180.5	31	143	27.0	60	BL.60X345X522 FM	50.00
17	6-6000 . - 45	192	250	442	312.0±1.0	189±0.8	99.5±0.6	290	205.0	33	156	30.5	70	BL.70X385X577 FM	72.00



Blechtoleranzenklasse A gemäß EN 10029
plate tolerances class A acc. to EN 10029

Rz 160

* Material gemäß: Bauaufsichtliche Zulassung Nr.Z-14.4-441
Material acc.: Bauaufsichtliche Zulassung No. Z-14.4-441

Artikel Nr.	total je L B F Stck/Quantities	Benennung Description	Teil Part	Halbzeug Semi-product	DNC Ind.	DIN- EN	Werkstoff Material	DIN-EN 10204	LIS. Spez.	kg/St. f. Mat.0 ispo	Zeichnungs Nr. Drawing No.	
freigegeben/released Freigabestatus / release status			m-connect 6-60... -45				Datei:		 350053-3 1/1 0 Zeichnungs Nr./Drawing no. Bl./page Rev.			
General toler. Freimaße		Scale	QM-Level:									
DIN 7168-m		Date	Name									
established		12.09.06	ME									
checked		02.03.07	ara									
No./Revision		AV.QM.BMT	02.03.07		bb.wd.fgu		Fertigungsauftrags Nr./Serial no.					