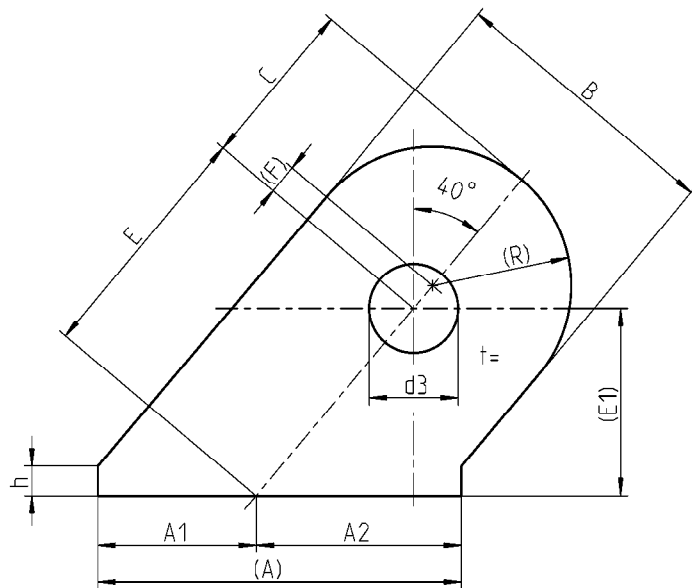



DNC-Index	Typ Type	A1	A2	(A)	B	C	d3	E	(E1)	F	R	h	t	Halbzeug	Gew. (kg)
														semi prod.	weight (kg)
01	6-6006 . - 40	9	16	25	18.5±0.2	11.5±0.2	6.6±0.1	26	20.0	2.25	9.25	4.5	4	BL.4X31X36.5 FM	0.02
02	6-6008 . - 40	13	20	33	25±0.2	15.5±0.2	8.6±0.1	29	22.0	3	12.5	4.5	5	BL.5X37X46 FM	0.04
03	6-6010 . - 40	17	24	41	32±0.3	19.5±0.2	10.6±0.1	33	25.0	3.5	16	4.5	6	BL.6X44X56.5 FM	0.07
04	6-6012 . - 40	21	28	49	37±0.5	22.5±0.3	12.7±0.2	39	30.0	4	18.5	4.5	8	BL.8X51.5X67.5 FM	0.12
05	6-6016 . - 40	29	37	66	51±0.5	31.0±0.4	16.8±0.3	50	38.5	5.5	25.5	6.0	10	BL.10X68X90.5 FM	0.30
06	6-6020 . - 40	36	47	83	64±0.5	39±0.4	20.8±0.3	59	45.0	7	32	6.5	12	BL.12X82.5X110.5 FM	0.50
07	6-6024 . - 40	43	55	98	75±0.5	46±0.4	25.0±0.4	68	52.0	8.5	37.5	8	15	BL.15X96X130 FM	0.90
08	6-6030 . - 40	52	67	119	91±0.5	56±0.4	31.0±0.4	81	62.0	10.5	45.5	10	20	BL.20X115.5X156.5 FM	1.70
09	6-6036 . - 40	64	83	147	112±0.5	68±0.4	36.0±0.4	99	76.0	12	56	12	22	BL.22X141X191.5 FM	2.80
10	6-6042 . - 40	77	99	176	135±0.5	82±0.4	43.0±0.4	117	90.0	14.5	67.5	13.5	25	BL.25X168.5X229 FM	4.60
11	6-6048 . - 40	85	110	195	149±0.5	91±0.4	48.0±0.4	131	100.5	16.5	74.5	16.5	30	BL.30X187.5X255 FM	6.80
12	6-6056 . - 40	100	130	230	176±0.5	107±0.4	56.0±0.4	157	120.0	19	88	19	35	BL.35X223X301 FM	11.20
13	6-6064 . - 40	114	148	262	201±0.5	122±0.4	64.5±0.5	176	135.0	21.5	100.5	21.5	40	BL.40X252X342 FM	16.50
14	6-6072 . - 40	128	165	293	225±0.5	137±0.5	73.5±0.5	189	145.0	24.5	112.5	24	50	BL.50X276X378 FM	25.00
15	6-6080 . - 40	143	185	328	251±0.8	153±0.7	81.5±0.6	211	162.0	27.5	125.5	26.5	55	BL.55X308X422 FM	34.00
16	6-6090 . - 40	164	210	374	286±0.8	174±0.7	91.5±0.6	235	180.0	31	143	29	60	BL.60X347X478 FM	47.00
17	6-6000 . - 40	178	230	408	312±1.0	189±0.8	99.5±0.6	268	205.0	33	156	32.5	70	BL.70X387X528 FM	68.00



Blechtoleranzenklasse A gemäß EN 10029
plate tolerances class A acc. to EN 10029

* Material gemäß: Bauaufsichtliche Zulassung Nr.Z-14.4-441
Material acc.: Bauaufsichtliche Zulassung No. Z-14.4-441

Rz 160

Artikel Nr.	total je L B F Stck/Quantities	Benennung Description	Teil Part	Halbzeug Semi-product	DNC Ind.	DIN- EN	Werkstoff Material	DIN-EN 10204	LIS. Spez.	kg/St. f. Mat.0 ispo	Zeichnungs Nr. Drawing No.
freigegeben/released											
Freigabestatus / release status											
m-connect Typ 6-60... -40											
General toler. Freimaße		Scale		QM-Level:		Datei:					
DIN 7168-m		Date		Name		 350052-3 Zeichnungs Nr./Drawing no. 1/1 0 Bl./page Rev.					
established		12.09.06		ME							
checked		09.03.07		ara							
No. Revision		AV.QM.BMT		09.03.07		mmo,wd,wm		Fertigungsauftrags Nr./Serial no.			