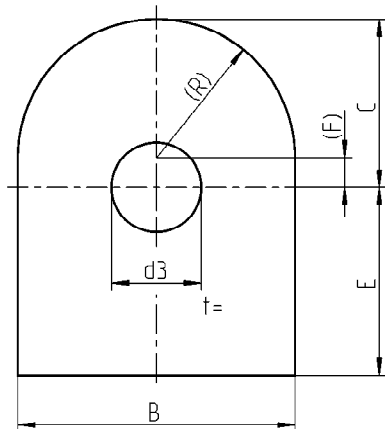


DNC-Index	Typ Type	B	C	d3	E	(F)	(R)	t	Halbzeug	Gew. (kg)
									semi prod.	weight (kg)
01	6-6006 ① - 00	18.5±0.2	11.5±0.2	6.6±0.1	20	2.25	9.25	4	Bl.4X18.5X31.5 FM	0.02
02	6-6008 . - 00	25.0±0.2	15.5±0.2	8.6±0.1	22	3	12.5	5	Bl.5X25X37.5 FM	0.04
03	6-6010 . - 00	32.0±0.3	19.5±0.2	10.6±0.1	25	3.5	16	6	Bl.6X32x44.5 FM	0.06
04	6-6012 . - 00	37.0±0.5	22.5±0.3	12.7±0.2	30	4	18.5	8	Bl.8X37X52.5 FM	0.10
05	6-6016 . - 00	51.0±0.5	31.0±0.4	16.8±0.3	38	5.5	25.5	10	Bl.10X51X69 FM	0.25
06	6-6020 . - 00	64.0±0.5	39.0±0.4	20.8±0.3	45	7	32	12	Bl.12X64X84 FM	0.45
07	6-6024 . - 00	75.0±0.5	46.0±0.4	25.0±0.4	52	8.5	37.5	15	Bl.15X75X98 FM	0.75
08	6-6030 . - 00	91.0±0.5	56.0±0.4	31.0±0.4	62	10.5	45.5	20	Bl.20X91X118 FM	1.40
09	6-6036 . - 00	112.0±0.5	68.0±0.4	36.0±0.4	76	12	56	22	Bl.22X112X144 FM	2.40
10	6-6042 . - 00	135.0±0.5	82.0±0.4	43.0±0.4	90	14.5	67.5	25	Bl.25X135X172 FM	3.90
11	6-6048 . - 00	149.0±0.5	91.0±0.4	48.0±0.4	100	16.5	74.5	30	Bl.30X149X191 FM	5.70
12	6-6056 . - 00	176.0±0.5	107.0±0.4	56.0±0.4	120	19	88	35	Bl.35X176X227 FM	9.40
13	6-6064 . - 00	201.0±0.5	122.0±0.4	64.5±0.5	135	21.5	100.5	40	Bl.40X201X257 FM	14.00
14	6-6072 . - 00	225.0±0.5	137.0±0.5	73.5±0.5	145	24.5	112.5	50	Bl.50X225X282 FM	21.00
15	6-6080 . - 00	251.0±0.8	153.0±0.7	81.5±0.6	162	27.5	125.5	55	Bl.55X251X315 FM	29.00
16	6-6090 . - 00	286.0±0.8	174.0±0.7	91.5±0.6	180	31	143	60	Bl.60X286X354 FM	40.00
17	6-6000 . - 00	312.0±1.0	189.0±0.8	99.5±0.6	205	33	156	70	Bl.70X312X394 FM	57.00



① R= roh ; P=grundiert ; H= feuerverzinkt ; * Duplex
R- raw ; P-with primer ; H- hot dip galvanized ; * duplex

Blechtoleranzenklasse A gemäß EN 10029
plate tolerances class A acc. to EN 10029

Rz 160

								* 1.4462						
						10029		S355J2G3		35004B-3				
Artikel Nr.	total je Stck/Quantities	L	B	F	Benennung Description	Teil Part	Halbzeug Semi.product	DNC Ind.	DIN- EN	Werkstoff Material	DIN-EN 10204	LIS- Spez.	kg/St. f. Ma./Dispo	Zeichnungs Nr. Drawing No.
freigegeben/released Freigabestatus / release status						m-connect Typ 6-6036 . -00			Datei:					
						General toler. Freimaße			Scale			QM-Level:		
						DIN 7168-m			Date			Name		
						established			11.09.06			ME		
						checked			17.11.06			fb		
No./Revision						AV.QM.BMT			17.11.06			mmo.fgu,sl		
										35004B-3		1/1	0	
										Zeichnungs Nr./Drawing no.		BL./page	Rev.	
										Fertigungsauftrags Nr./Serial no.			v.	