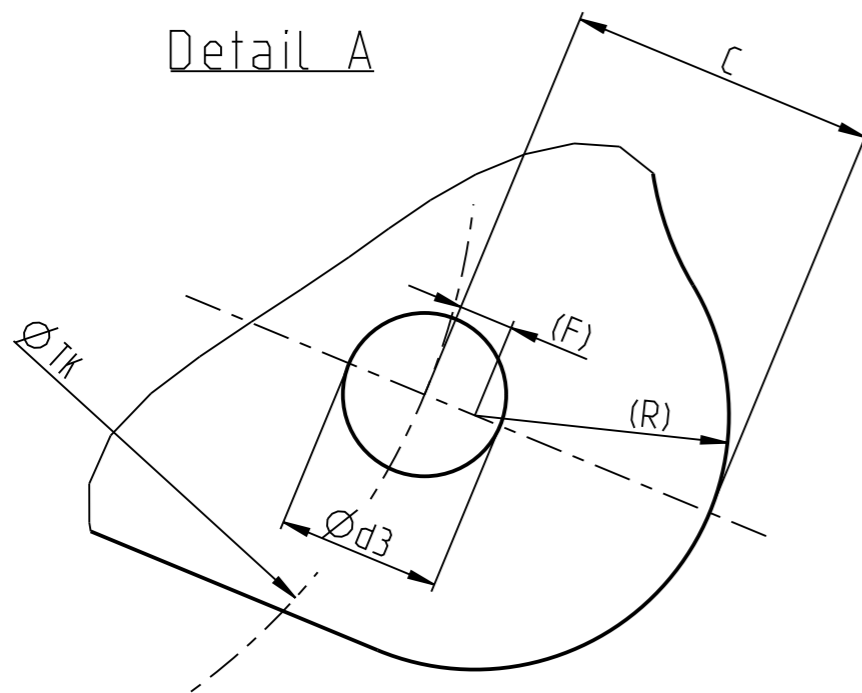


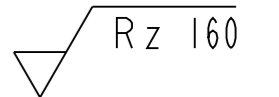
DNC-Index	Typ	R1	R2	d3	C	TK	(F)	(R)	t	Halbzeug	Gew. (kg)
	Type									semi prod.	
01	6-7506 . - 45	24	12	6.6±0.1	11.5±0.2	52	2.25	9.25	4	Bl. 4x 41,0x 71,0 FM	0.07
02	6-7508 . - 45	32	16	8.6±0.1	15.5±0.2	70	3.00	12.50	5	Bl. 5x 54,5x 96,0 FM	0.15
03	6-7510 . - 45	40	20	10.6±0.1	19.5±0.2	88	3.50	16.00	6	Bl. 6x 68,5x120,0 FM	0.30
04	6-7512 . - 45	46	23	12.7±0.2	22.5±0.3	102	4.00	18.50	8	Bl. 8x 79,5x139,0 FM	0.55
05	6-7516 . - 45	62	31	16.8±0.3	31,0±0.4	140	5.50	25.50	10	Bl.10x109,0x191,0 FM	1.20
06	6-7520 . - 45	78	40	20.8±0.3	39,0±0.4	176	7.00	32.00	12	Bl.12x137,0x240,0 FM	2.30
07	6-7524 . - 45	92	46	25.0±0.4	46,0±0.4	205	8.50	37.50	15	Bl.15x160,0x280,5 FM	3.90
08	6-7530 . - 45	112	56	31.0±0.4	56,0±0.4	250	10.50	45.50	20	Bl.20x195,0x341,5 FM	7.80
09	6-7536 . - 45	136	68	36.0±0.4	68,0±0.4	308	12.00	56.00	22	Bl.22x239,5x419,0 FM	13.00
10	6-7542 . - 45	162	81	43.0±0.4	82,0±0.4	370	14.50	67.50	25	Bl.25x288,0x504,0 FM	21.00
11	6-7548 . - 45	182	91	48.0±0.4	91,0±0.4	410	16.50	74.50	30	Bl.30x319,0x558,5 FM	32.00
12	6-7556 . - 45	214	107	56.0±0.4	107±0.4	485	19.00	88.00	35	Bl.35x376,5x659,5 FM	51.00
13	6-7564 . - 45	244	122	64.5±0.5	122±0.4	555	21.50	100.50	40	Bl.40x430,0x753,5 FM	76.00
14	6-7572 . - 45	272	136	73.5±0.5	137±0.5	615	24.50	112.50	50	Bl.50x479,5x839,0 FM	117.00
15	6-7580 . - 45	304	152	81.5±0.6	153±0.7	690	27.50	125.50	55	Bl.55x536,5x939,5 FM	162.00
16	6-7590 . - 45	346	173	91.5±0.6	174±0.7	785	31.00	143.00	60	Bl.60x610,5x1069,0 FM	230.00
17	6-7500 . - 45	376	188	99.5±0.6	189±0.8	850	33.00	156.00	70	Bl.70x663,0x1158,5 FM	315.00

Detail A



Blechtoleranzenklasse A gemäß EN 10029  
plate tolerances class A acc. to EN 10029

\* Material gemäß: Europäische Technische Zulassung ETA-06/0236;  
Bauaufsichtliche Zulassung Nr.Z-14.4-441  
Material acc.: European Technical Approval ETA-06/0236;  
Bauaufsichtliche Zulassung No. Z-14.4-441



Artikel Nr.	total je L B F Stck/Quantities	Benennung Description	Teil Part	Halbzeug Semi-product	DNC Ind.	DIN- EN	Werkstoff Material	DIN-EN 10204	LIS. Spez.	kg/St. f. Mat.Dispo	ZeichnungsNr.	
Erstellen Zeichnung Freigabestatus / release status			<b>m-connect Typ 6-75... -45</b>				Datei:					
			General toler. Freimaße				Scale -		QM-Level:			
			DIN 7168-m				Date		Name			
02 R1 -> R2 changed			established				07.11.07		ap			350022-3 Zeichnungs Nr./Drawing no.
01 Detail A changed			checked									1/1 02 Bl./page Rev.
No. Revision			AV.QM.BMT									- V.
											Fertigungsauftrags Nr./Serial no.	