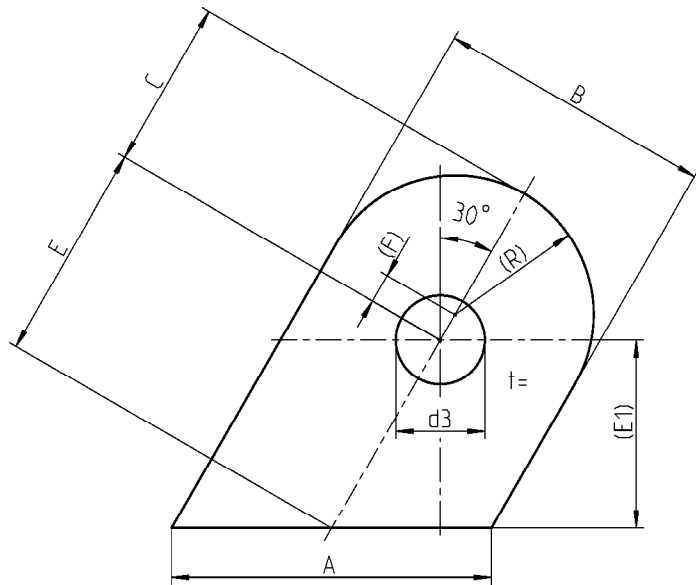



DNC-Index	Typ Type	A	B	C	d3	E	(E1)	(F)	(R)	t	Halbzeug		Gew. (kg)
											semi prod.		weight (kg)
01	6-6006 . - 30	21	18.5±0.2	11.5±0.2	6.6±0.1	23	20.0	2.25	9.25	4	Bl. 4X 31.5X 33.0 FM	0.02	
02	6-6008 . - 30	29	25.0±0.2	15.5±0.2	8.6±0.1	25	21.5	3	12.5	5	Bl. 5X 37.0X 41.0 FM	0.04	
03	6-6010 . - 30	37	32.0±0.3	19.5±0.2	10.6±0.1	29	25.0	3.5	16	6	Bl. 6X 44.5X 51.0 FM	0.07	
04	6-6012 . - 30	43	37.0±0.5	22.5±0.3	12.7±0.2	35	30.5	4	18.5	8	Bl. 8X 52.5X 59.5 FM	0.12	
05	6-6016 . - 30	59	51.0±0.5	31.0±0.4	16.8±0.3	44	38.0	5.5	25.5	10	Bl.10X 68.5X 80.0 FM	0.25	
06	6-6020 . - 30	74	64.0±0.5	39.0±0.4	20.8±0.3	52	45.0	7	32	12	Bl.12X 83.5X 98.5 FM	0.50	
07	6-6024 . - 30	87	75.0±0.5	46.0±0.4	25.0±0.4	60	52.0	8.5	37.5	15	Bl.15X 97.0X115.5 FM	0.80	
08	6-6030 . - 30	105	91.0±0.5	56.0±0.4	31.0±0.4	72	62.5	10.5	45.5	20	Bl.20X117.0X139.5 FM	1.60	
09	6-6036 . - 30	129	112.0±0.5	68.0±0.4	36.0±0.4	88	76.0	12	56	22	Bl.22X143.0X171.0 FM	2.60	
10	6-6042 . - 30	156	135.0±0.5	82.0±0.4	43.0±0.4	104	90.0	14.5	67.5	25	Bl.25X170.5X205.0 FM	4.20	
11	6-6048 . - 30	172	149.0±0.5	91.0±0.4	48.0±0.4	115	99.5	16.5	74.5	30	Bl.30X188.5X226.5 FM	6.20	
12	6-6056 . - 30	203	176.0±0.5	107.0±0.4	56.0±0.4	139	120.5	19	88	35	Bl.35X225.0X269.0 FM	10.30	
13	6-6064 . - 30	232	201.0±0.5	122.0±0.4	64.5±0.5	156	135.0	21.5	100.5	40	Bl.40X254.5X305.5 FM	15.20	
14	6-6072 . - 30	260	225.0±0.5	137.0±0.5	73.5±0.5	167	144.5	24.5	112.5	50	Bl.50X278.5X338.5 FM	22.80	
15	6-6080 . - 30	290	251.0±0.8	153.0±0.7	81.5±0.6	187	162.0	27.5	125.5	55	Bl.55X311.5X378.0 FM	31.50	
16	6-6090 . - 30	330	286.0±0.8	174.0±0.7	91.5±0.6	208	180.0	31	143	60	Bl.60X350.0X428.0 FM	44.00	
17	6-6000 . - 30	360	312.0±1.0	189.0±0.8	99.5±0.6	237	205.0	33	156	70	Bl.70X390.0X471.5 FM	63.00	



Blechtoleranzenklasse A gemäß EN 10029
plate tolerances class A acc. to EN 10029

* Material gemäß: Bauaufsichtliche Zulassung Nr. Z-14.4-441
Material acc.: Bauaufsichtliche Zulassung No. Z-14.4-441

✓ Rz 160

Artikel Nr.	total je L B F Stk/Quantities	Benennung Description	Teil Part	Halbzeug Semi-product	DNC Ind.	DIN- EN	Werkstoff Material	DIN-EN 10204	LIS. Spez.	kg/St. f. Mat.0 ispo	Zeichnungs Nr. Drawing No.	
freigegeben/released Freigabestatus / release status			m-connect Typ 6-60... -30				Datei:					
			General toler. Freimaße		Scale	QM-Level:		 350051-3 Zeichnungs Nr./Drawing no. 1/1 0 BL./page Rev.				
			DIN 7168-m		Date	Name						
			established		12.09.06	ME						
			checked		18.12.06	ara						
No./Revision			AV.QM.BMT		18.12.06	fgu,mmo,wd		Fertigungsauftrags Nr./Serial no.				